

Food Holding Equipment Safe food holding display

ITEM # _____

MODEL # _____

NAME # _____

SIS # _____

AIA # _____

**240041 (SBXZD5CS)**

Safe food holding display with drop-down door for food pick up, take away and delivery. Schuko plug

Short Form Specification

Item No. _____

Designed to serve restaurateurs active in take-away and delivery operations. Can accommodate large paper shoppers, paper boxes or pizza boxes. Features a ventilated heat system to envelop the packaged meals with hot air and preserve the original taste. The fast heat recovery in combination with the UVC lamp mounted on the ceiling also serves bactericidal and viricidal purposes. UVC lamp switch off button. Drop-down door ensures comfort of operations and wide opening. Possibility to stack up to 3 units thus increasing capacity according to the customer's requirements (in combination with sliding door model). Prearranged for installation on site of shelf accessory. Schuko plug

Main Features

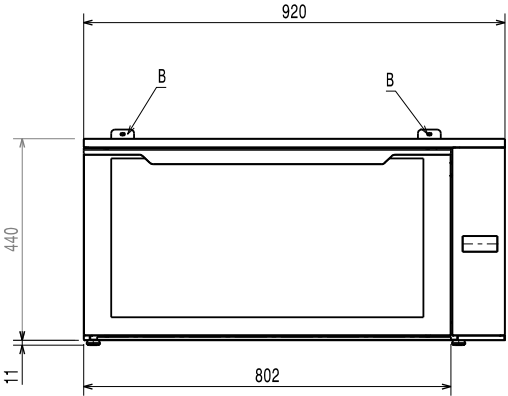
- Keeps multiple packaged meals ready for pickup, preserving the food quality and safety.
- It is designed to serve restaurateurs active in take-away and delivery operations.
- Can accommodate large paper shoppers, paper boxes or pizza boxes (pizza diameter up to 33 cm).
- Features a ventilated heat system to envelop the packaged meals with hot air and preserve the original taste.
- The fast heat recovery in combination with the UVC lamp mounted on the ceiling also serves bactericidal and viricidal purposes.
- The unit fits 600 mm deep counters and does not require extra space for ventilation.
- The temperature can be set on the back of the unit and ranges from 60 to 85°C.
- The stacked units can be connected on the back and transfer energy from one to the others, requiring just 1 cord and 1 plug for the whole execution.
- Drop-down door to guarantee wide opening and comfort of operations for maximum flexibility on packaging sizes. The UVC lamp is activated only when the door is properly closed (verified via dedicated sensors). The handle incorporates a photocatalytic coating to guarantee antibacterial activity.
- It's possible to stack the unit with sliding door models, up to 3 units total, thus increasing capacity according to the customer's requirements with no extra space occupancy.

Optional Accessories

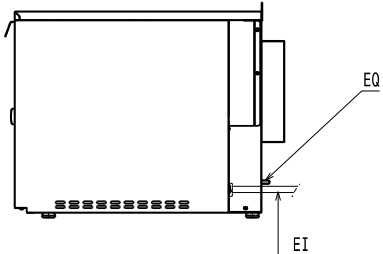
- Installation kit for wall fixing (for PNC 922418 □ stacked appliances)
- Shelf for safe food holding display with drop-down door PNC 922642 □

APPROVAL: _____

Front

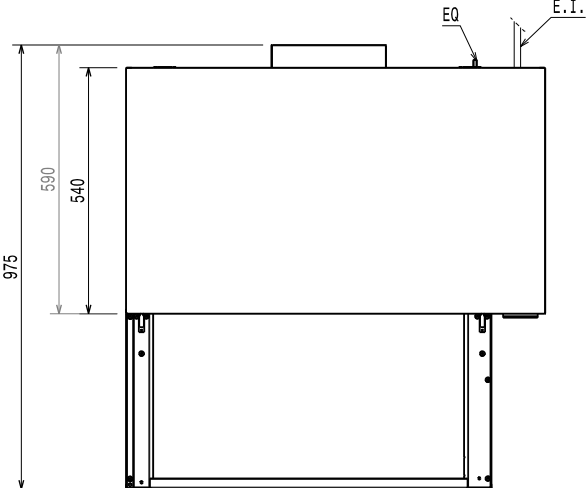


Side



EI = Electrical inlet (power)

Top



Electric

Supply voltage:	
240041 (SBXZD5CS)	220-240 V/1 ph/50 Hz
Installed Power :	0.59 kW
Plug type:	CE-SCHUKO

Key Information:

External dimensions, Width:	920 mm
External dimensions, Depth:	590 mm
External dimensions, Height:	450 mm
Net weight:	35 kg
Internal dimensions, Width:	725 mm
Internal dimensions, Depth:	420 mm
Internal dimensions, Height:	335 mm
Waterproof index:	IPX3

Sustainability

Noise level:	48 dBA
---------------------	--------